

BRM50-78GF/I

70 SUPERLOTUS

GAS TILTING BRATTPANS

Braising pan with automatic tilting, bowl 50 lt. cm.72x46,5x22h, Stainless steel bottom with lid



Construction - Fabricated using CrNi 18/10 AISI 304 grade Stainless Steel Scotch-Brite Satin polish Finish, incorporating 2 mm thick worktop, rounded edges, chromed details and rear splash back. Tanks bottom in stainless steel. Knobs with waterproof grades IPX5. Model - Professional Gas Tilting Bratt Pan (80°) with highly accurate manual or motorised 50ltr tank with highly efficient conductive base. Water tap and hinged cover, thermostatically controlled up to 300deg C. Piezoelectric ignition on manual tilt and electrical control on motorised, pilot light. Thermostatic control and thermocouple safety valves. Fittings - Appliance is supplied with both LPG and Natural Gas conversion jets and adjustable feet.



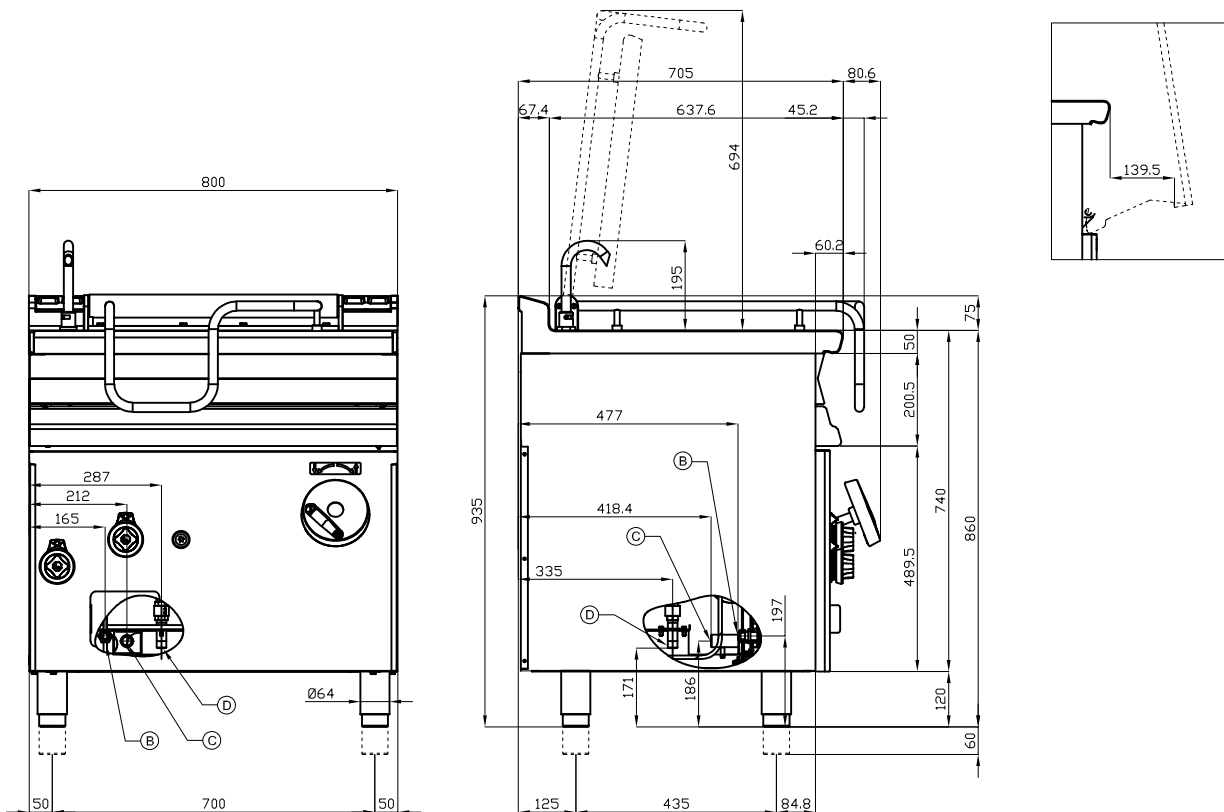
ITALIAN CULINARY ART

The pictures are purely representative. The manufacturer reserves the right to modify the technical data and models without previous notice.

BRM50-78GF/I

70 SUPERLOTUS

GAS TILTING BRATTPANS



A	Data plate		B	Electrical connection	
C	Gas connection	ISO 7-1 3/4" M	D	Cold water connection	ISO 7-1 1/2" M

MODEL: BRM50-78GF/I
DIMENSIONS: cm. 80x 70,5x 90h
GAS POWER: 14 KW / 12.040 kcal/h
GAS TYPE: Natural Gas / LPG
ELECTRIC POWER: 0,1 KW
VOLTAGE: 230V~
FREQUENCY: 50 Hz



kg: 139
m³: 0.709
mm: 830x770x1110

BUY LOTUS BUY ITALY

The pictures are purely representative. The manufacturer reserves the right to modify the technical data and models without previous notice.



LOTUS S.P.A. Via Calmaor, 46
 31020 San Vendemiano(TV) - Italy
 Tel. + 39 0438 778020 / 778468
 Fax + 39 0438 778277
www.lotuscookers.it - lotus@lotuscookers.it